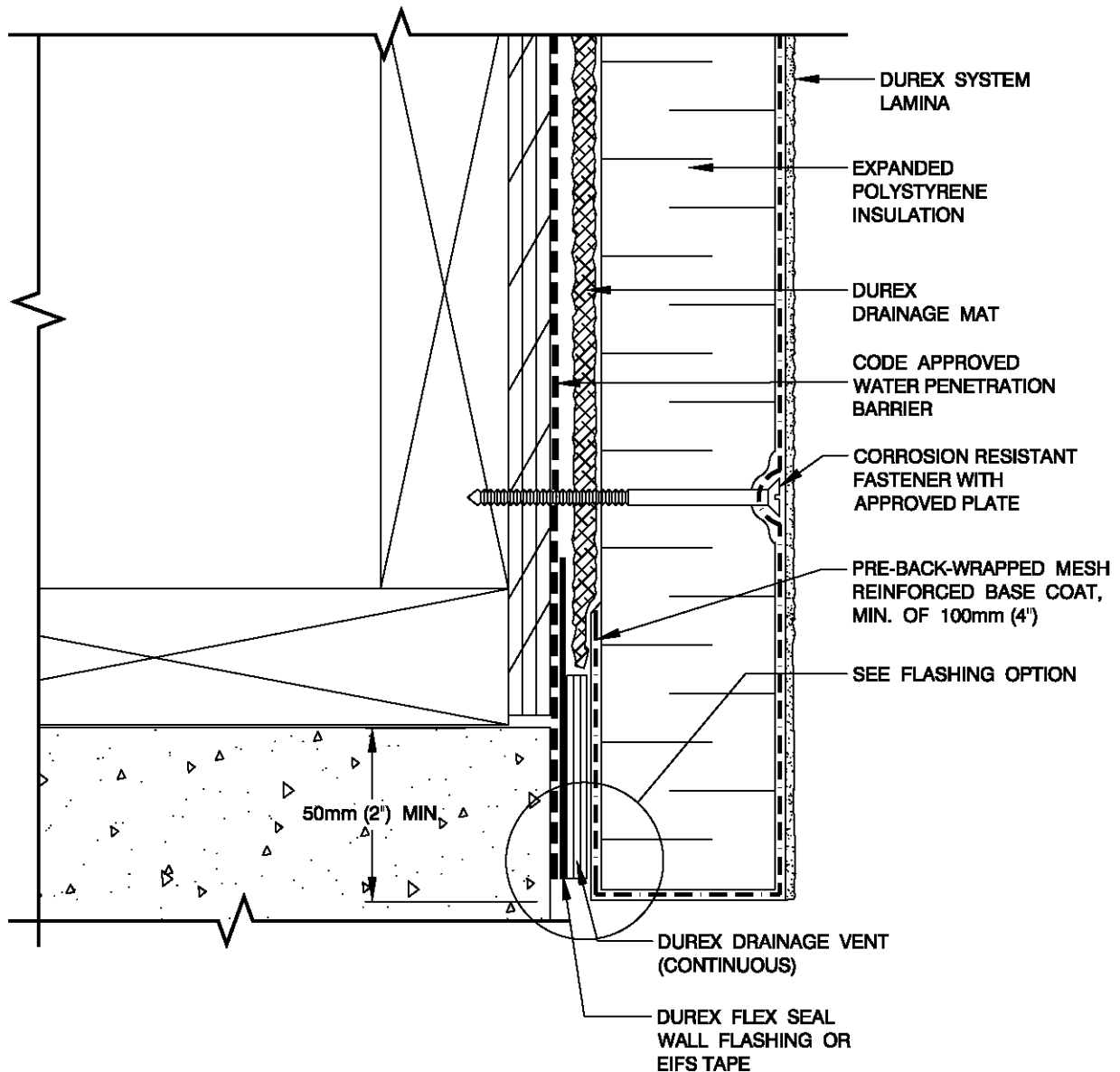


SYSTEM TYPE: DB- DUAL BARRIER
D- DRAINED

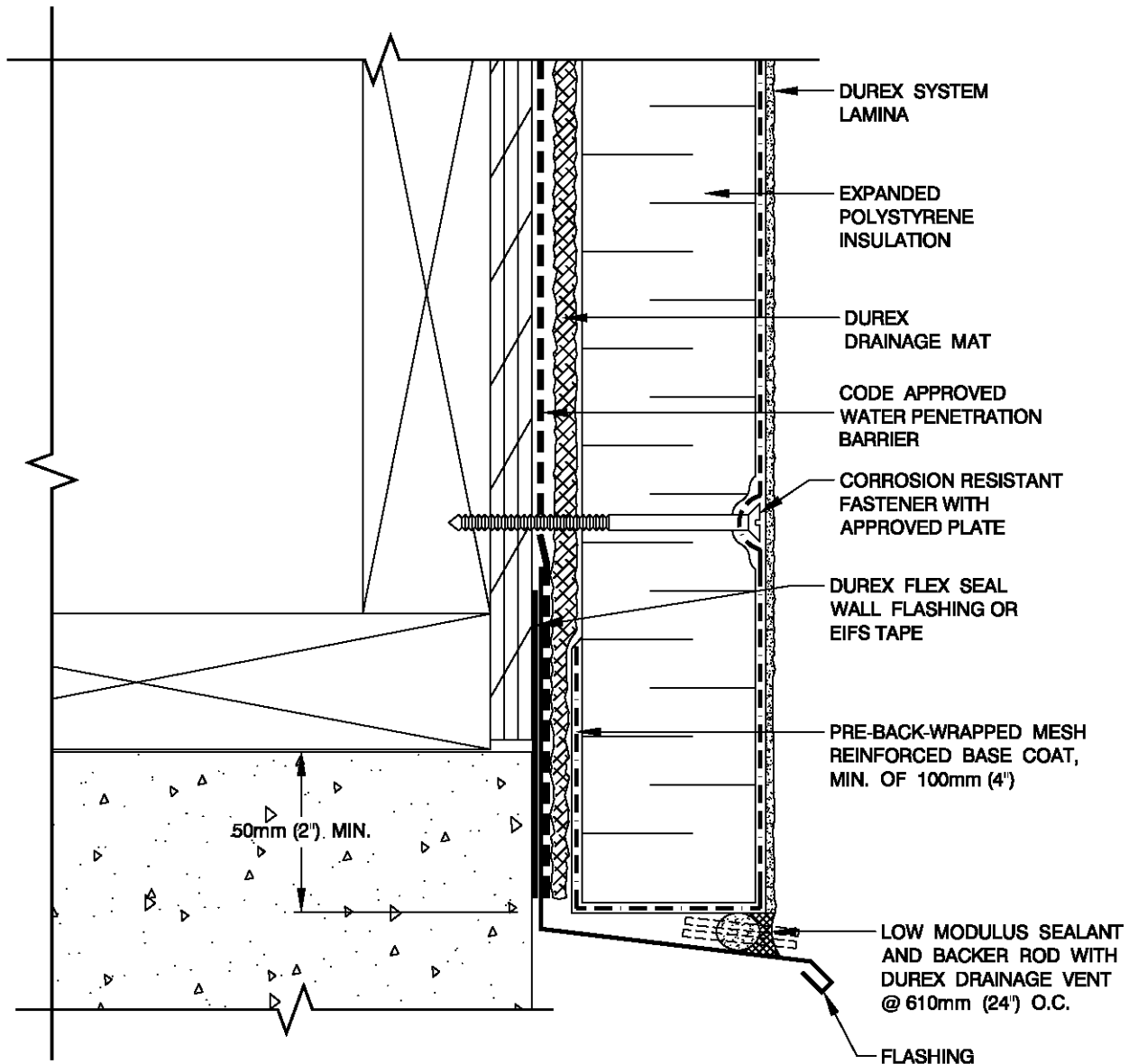


Durabond details are offered to assist in the development of project specific details. Design principles and variables incorporated in the final details and specifications are the responsibility of the project design professional.

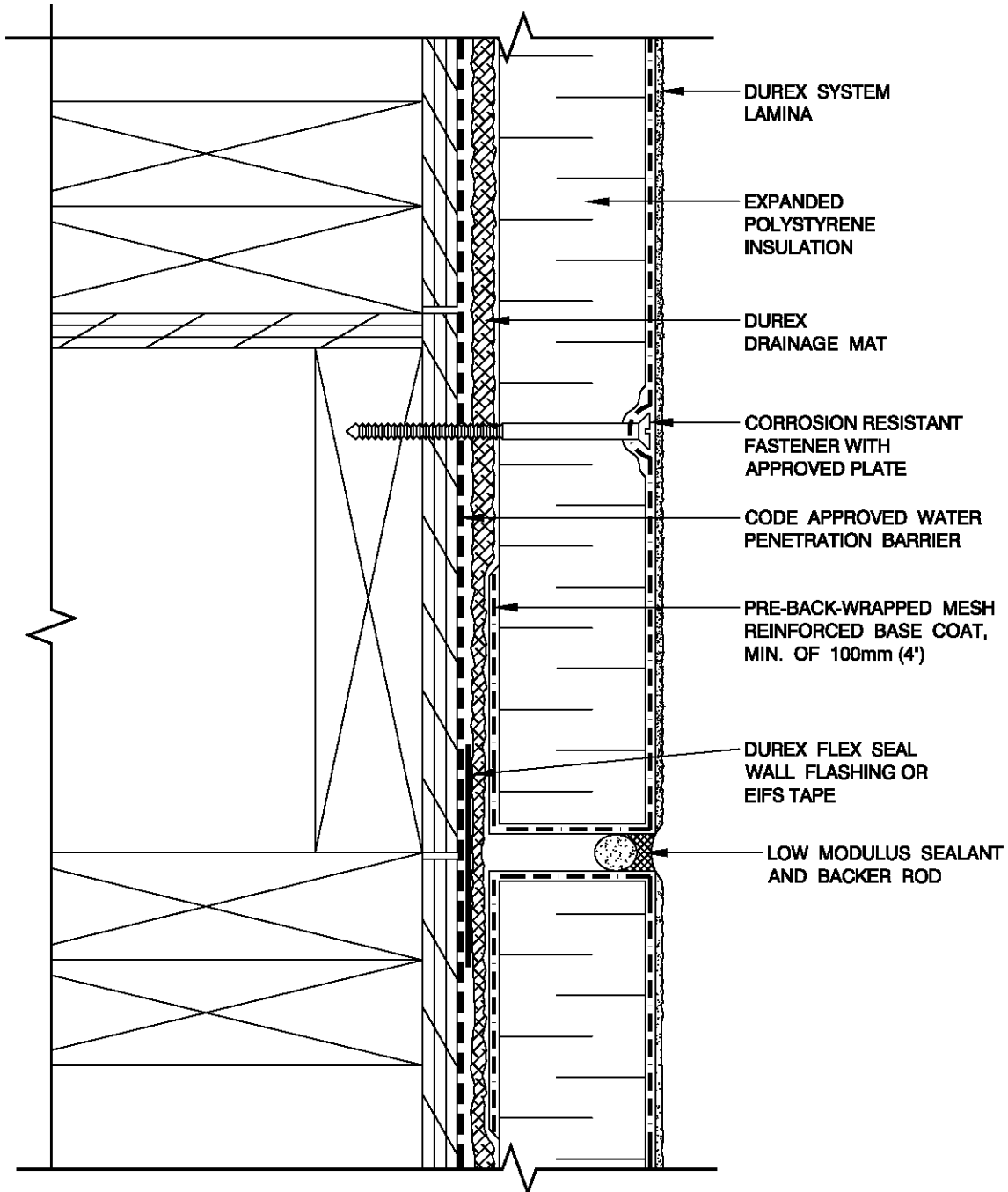
DURabond

FOUNDATION

SYSTEM TYPE: **DB-** DUAL BARRIER
D- DRAINED



SYSTEM TYPE: DB- DUAL BARRIER
D- DRAINED

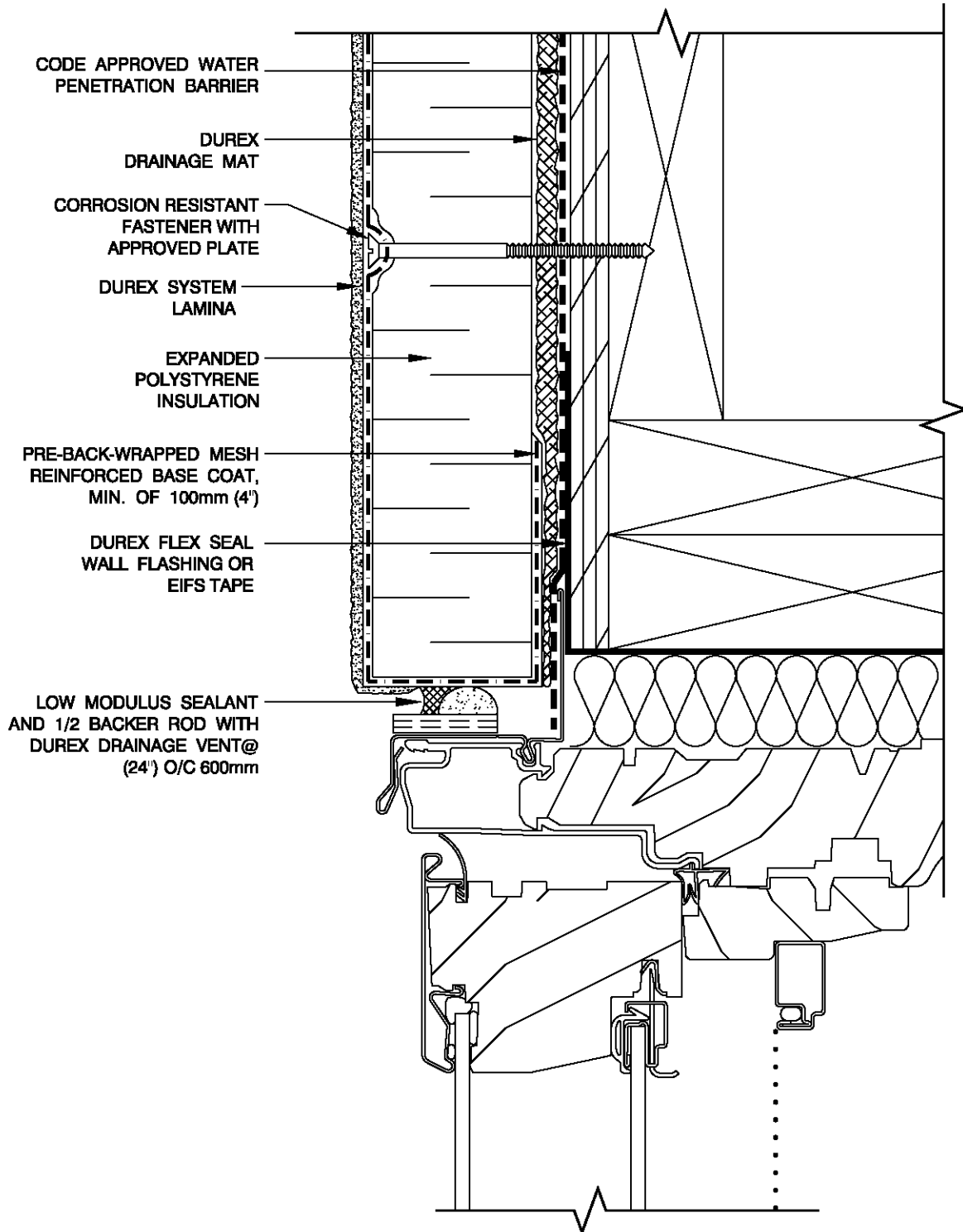


Durabond details are offered to assist in the development of project specific details. Design principles and variables incorporated in the final details and specifications are the responsibility of the project design professional.

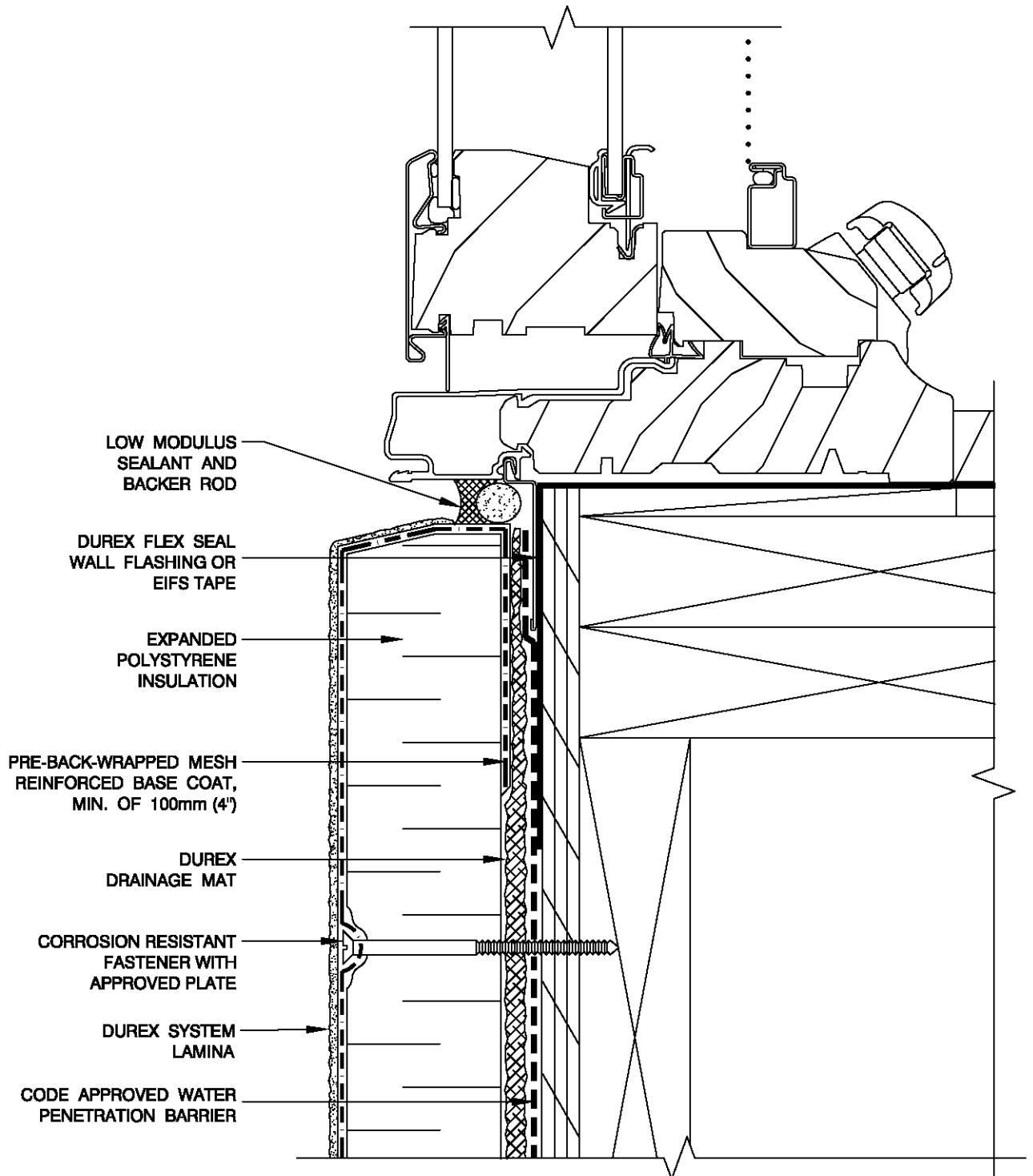
DURabond

HORIZONTAL EXPANSION JOINT

SYSTEM TYPE: **DB-** DUAL BARRIER
D- DRAINED



SYSTEM TYPE: DB- DUAL BARRIER
D- DRAINED

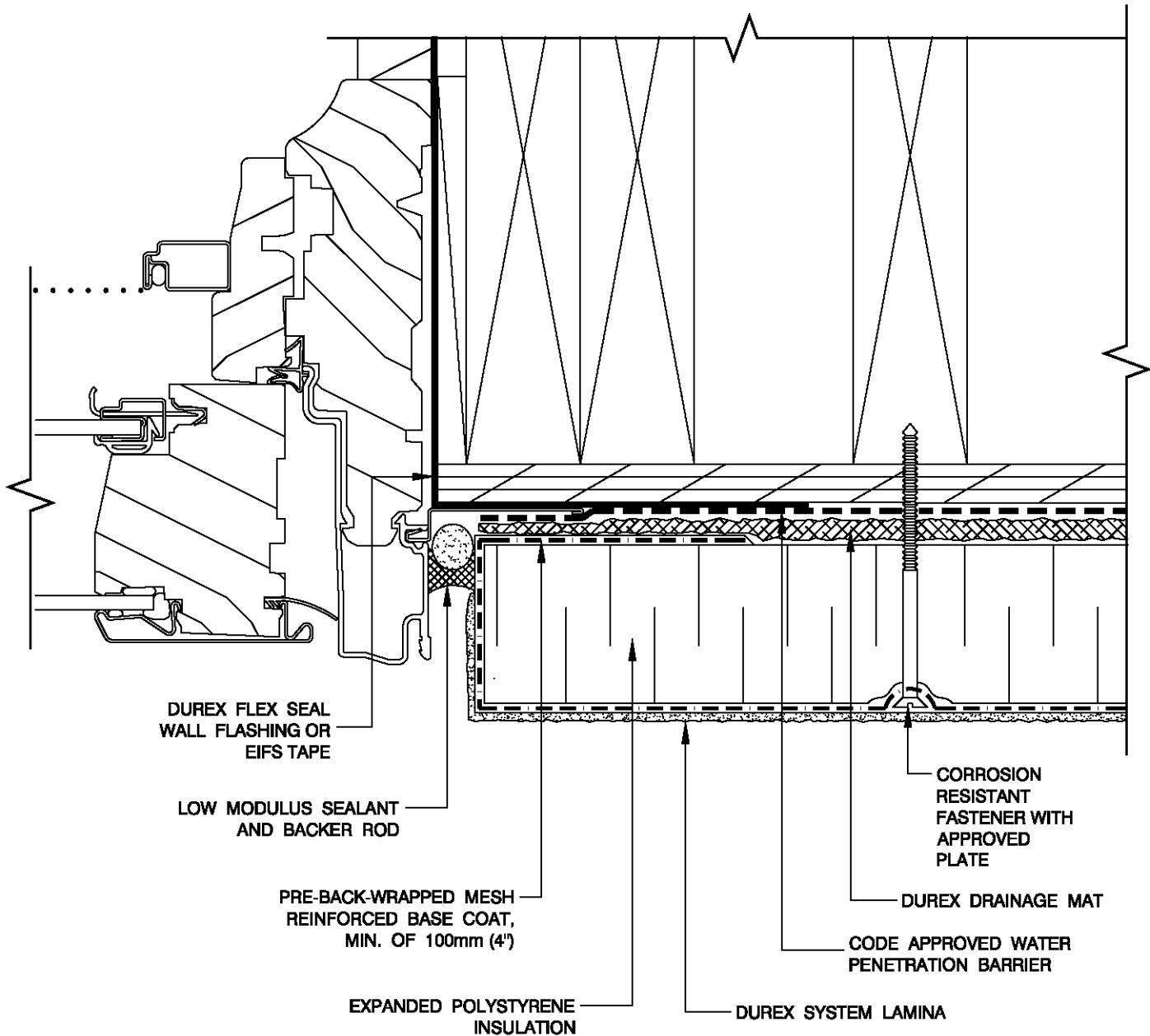


Durabond details are offered to assist in the development of project specific details. Design principles and variables incorporated in the final details and specifications are the responsibility of the project design professional.

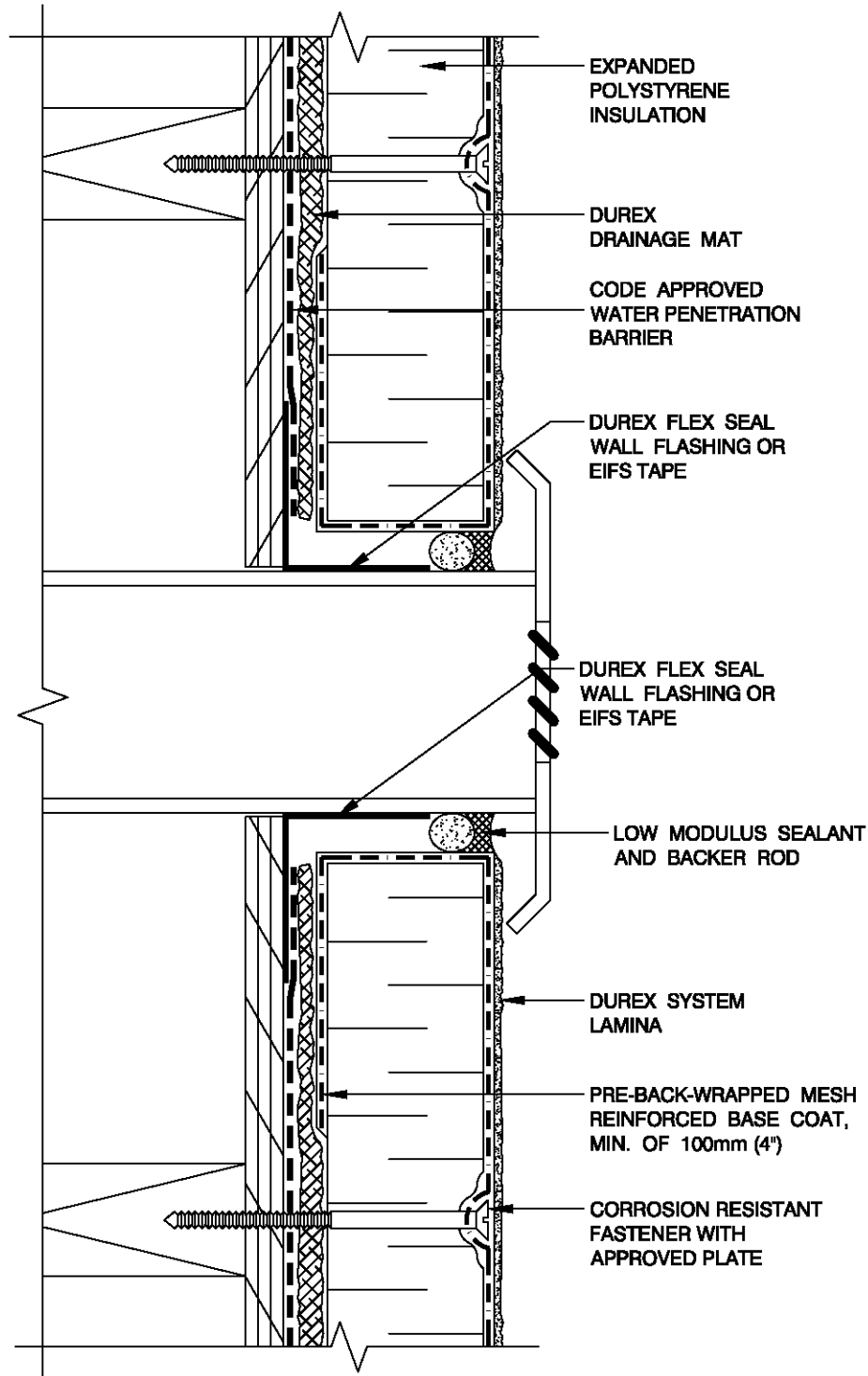
DURabond

WINDOW SILL

SYSTEM TYPE: **DB-** DUAL BARRIER
D- DRAINED



SYSTEM TYPE: DB- DUAL BARRIER
D- DRAINED

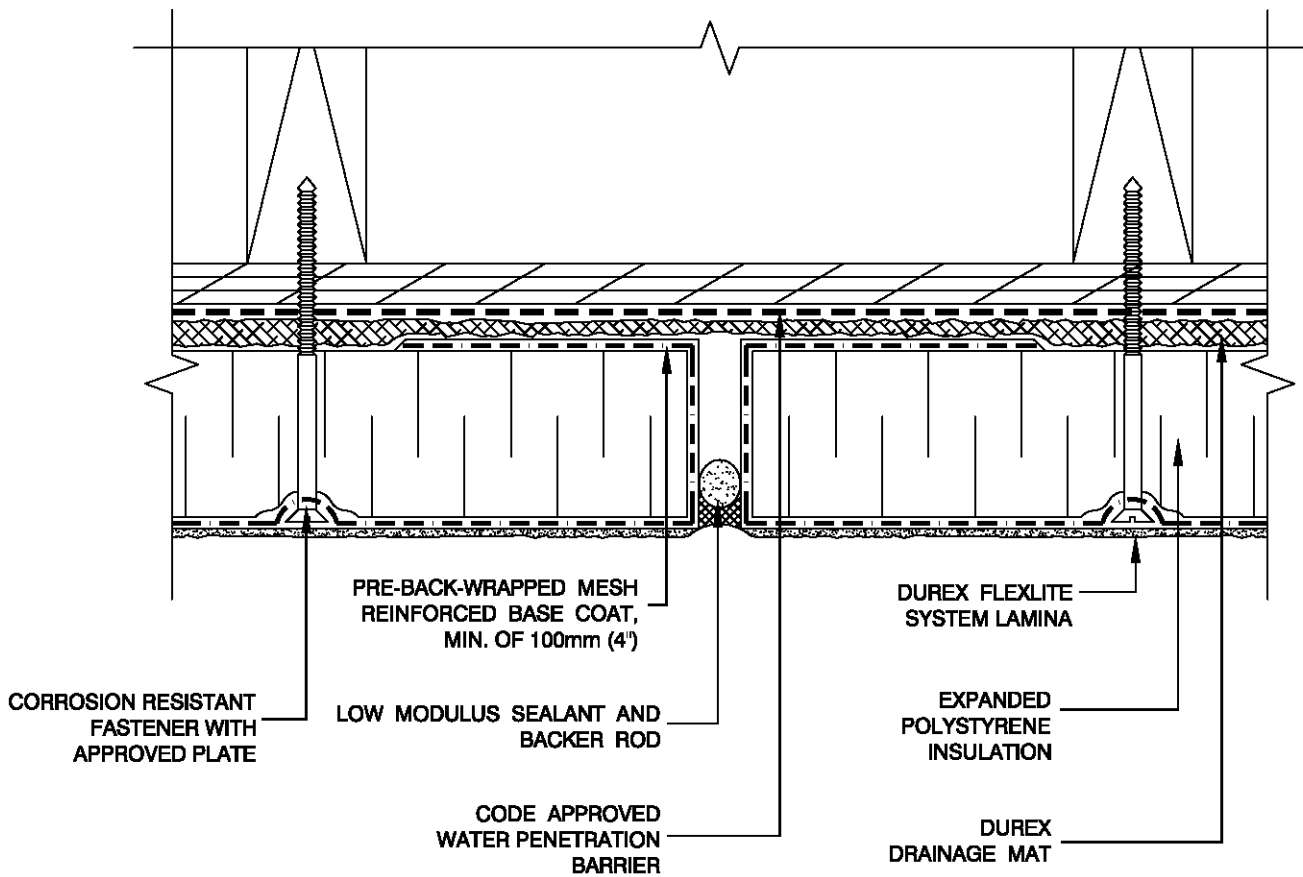


Durabond details are offered to assist in the development of project specific details. Design principles and variables incorporated in the final details and specifications are the responsibility of the project design professional.

DURabond

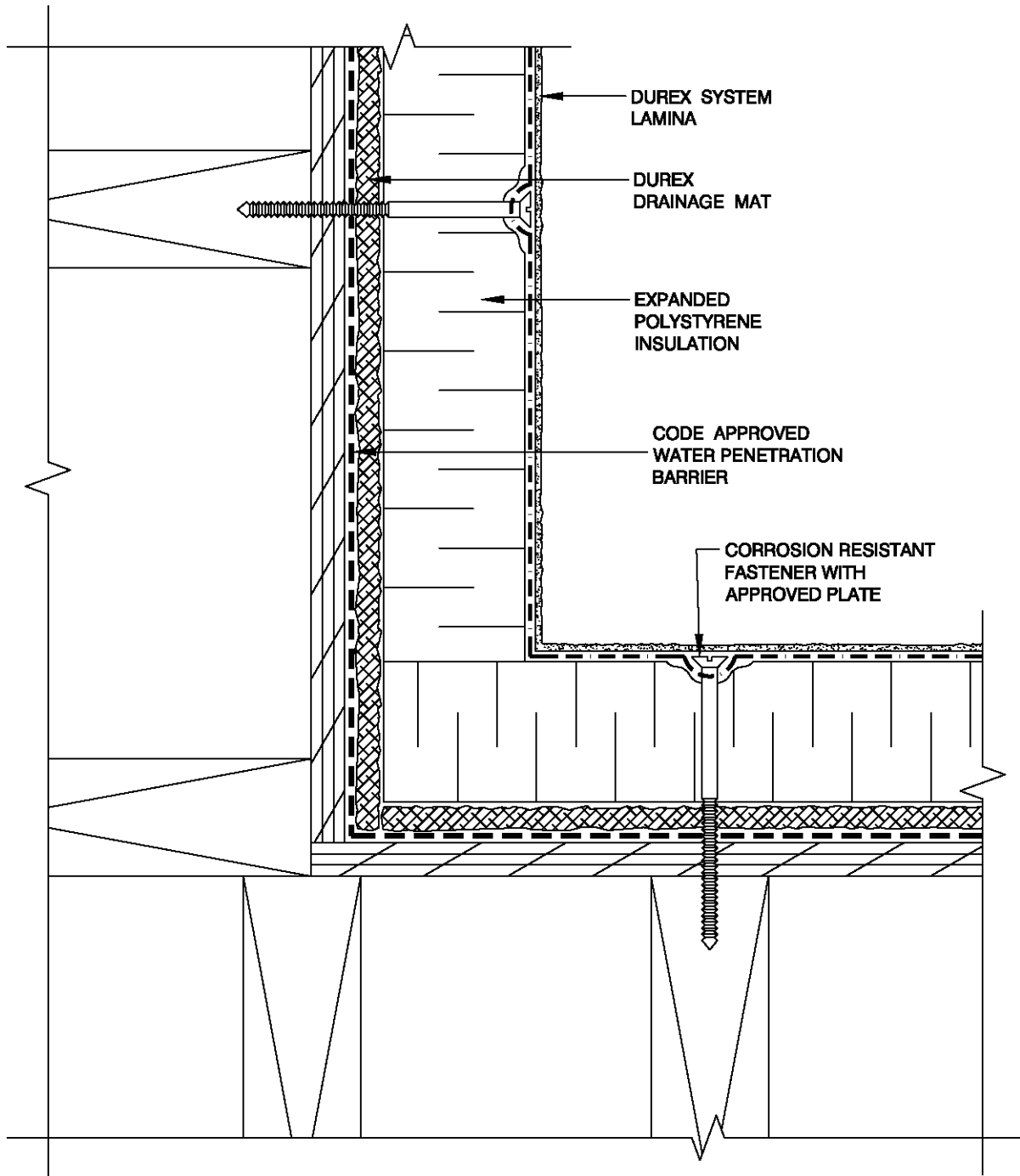
MINOR PENETRATION

SYSTEM TYPE: DB- DUAL BARRIER
D- DRAINED



VERTICAL SYSTEM CONTROL JOINT

SYSTEM TYPE: DB- DUAL BARRIER
D- DRAINED

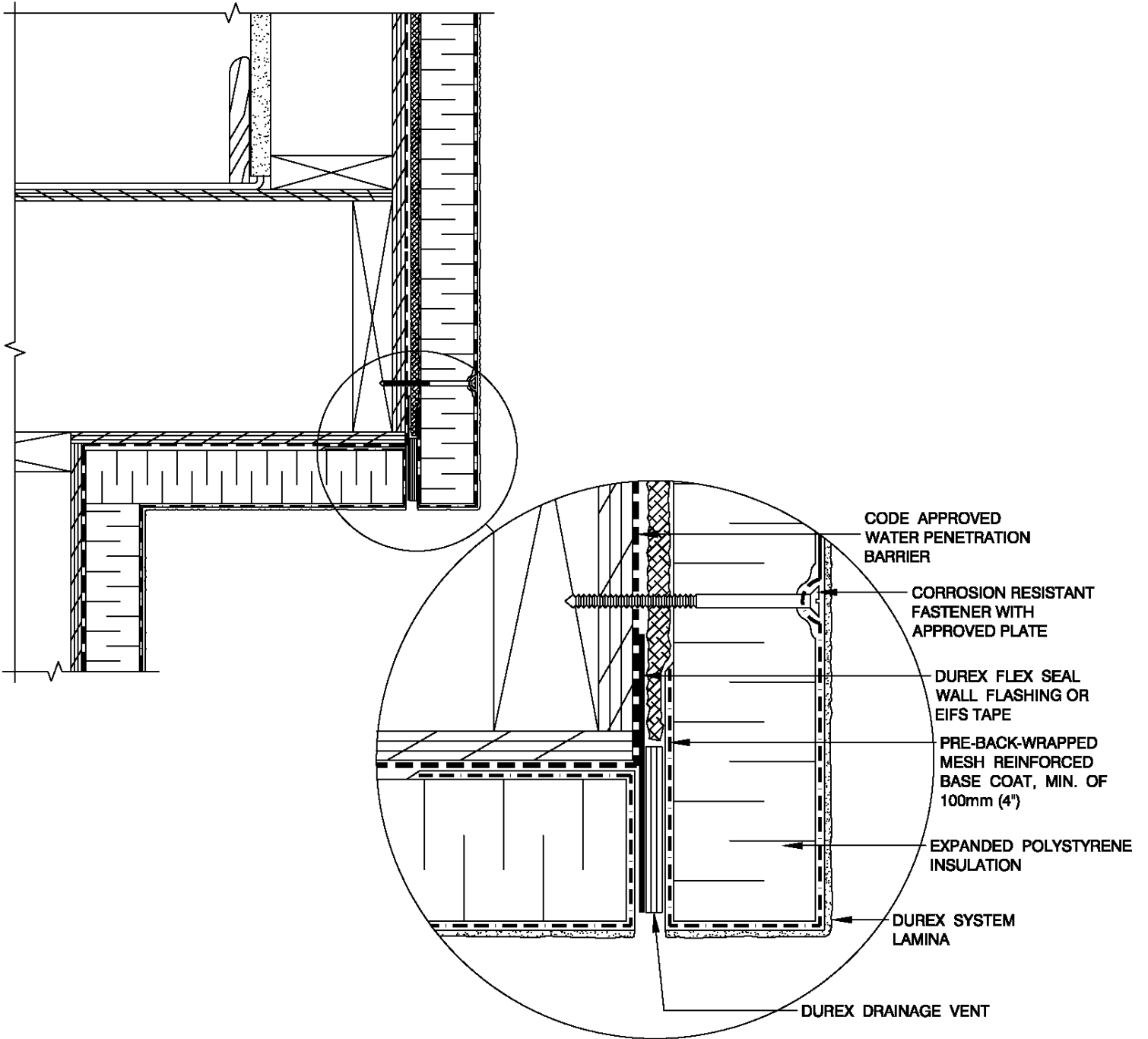


Durabond details are offered to assist in the development of project specific details. Design principles and variables incorporated in the final details and specifications are the responsibility of the project design professional.

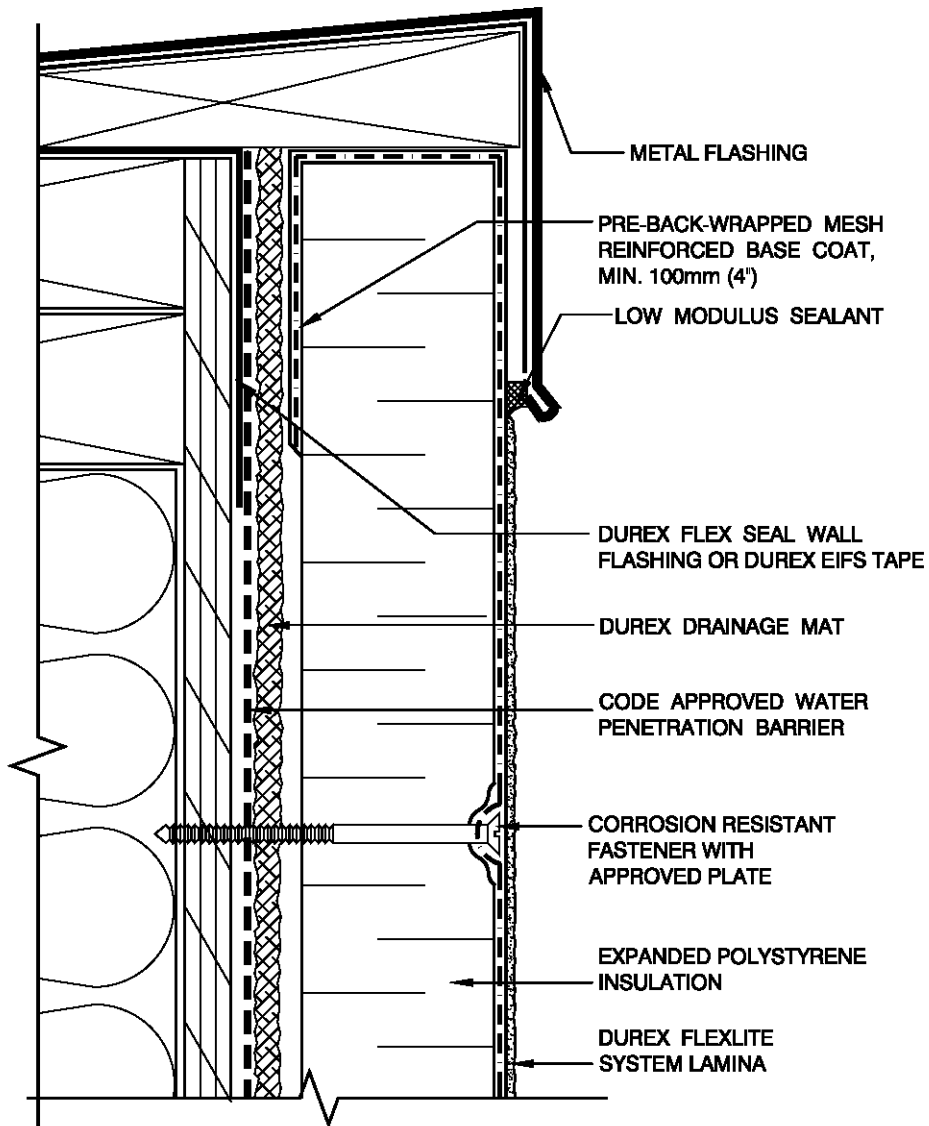
DURabond

INSIDE CORNER

SYSTEM TYPE: DB- DUAL BARRIER
D- DRAINED



SYSTEM TYPE: DB- DUAL BARRIER
D- DRAINED



Durabond details are offered to assist in the development of project specific details. Design principles and variables incorporated in the final details and specifications are the responsibility of the project design professional.

DURabond

PARAPET DETAIL